

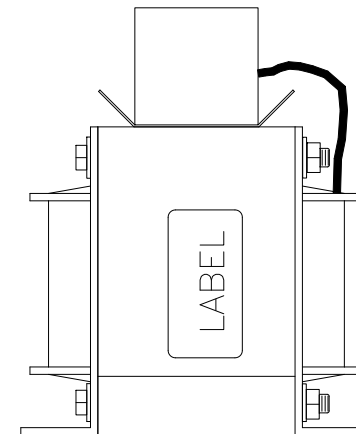
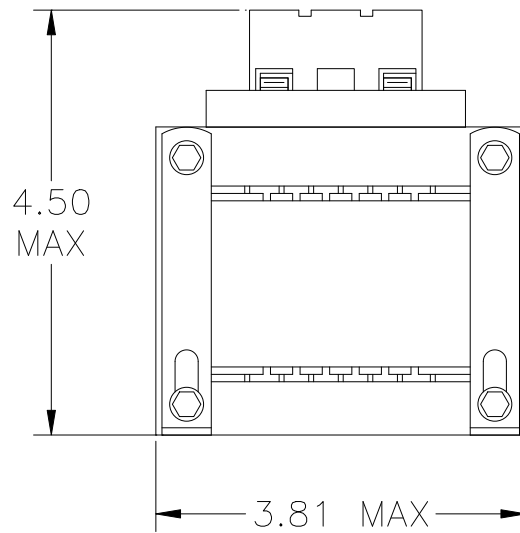
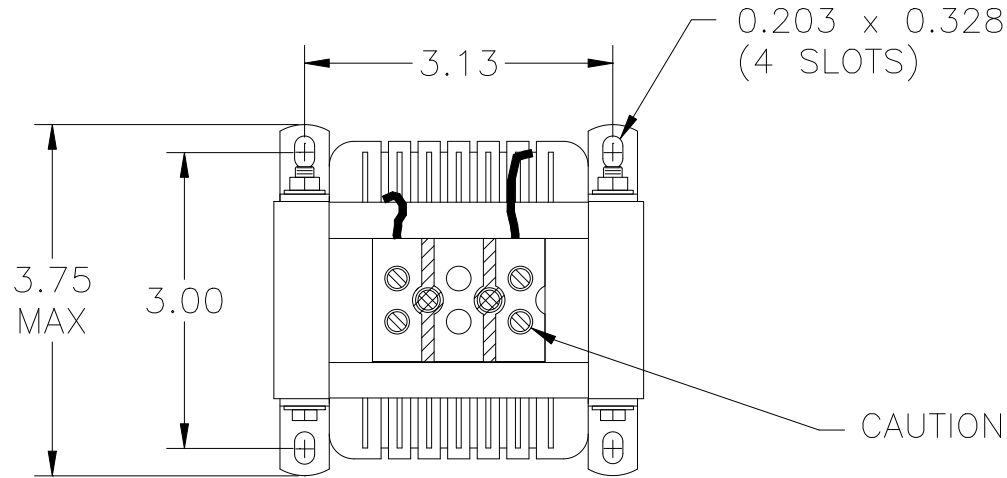
FILE: J:\CUSTDWG\DCA\DCA004002

INDUCTANCE
0.75 mH

LOSSES
15 Watts

WEIGHT
7 Lbs

NO.	CHANGE DESCRIPTION	BY	DATE	C'K'D



UNLESS OTHERWISE SPECIFIED, DIMENSIONS ARE IN INCHES [mm] AND TOLERANCES ARE:

DECI.	FRAC.
ANGLES	DRILLED HOLES

PART NAME:	DC CHOKE
DESCRIPTION:	OUTLINE DIMENSION
FINISH:	

MTE CORPORATION MENOMONEE FALLS, WISCONSIN			
DCA004002			REV. 00
SCALE	NTS	DATE	06/28/05
REF.	DR. BY	AGK	C'K'D APP'D